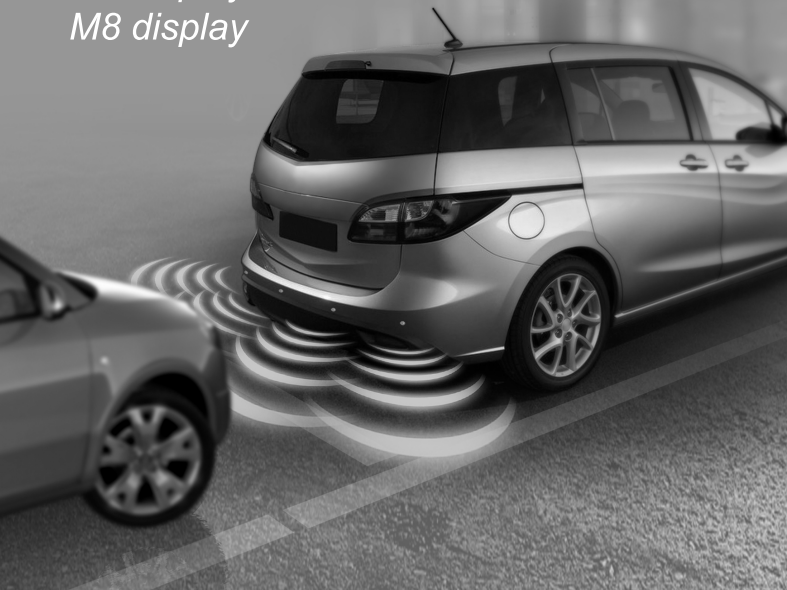


Parking Assist System

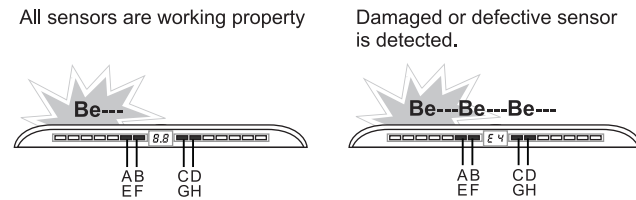
- M5 display
- M6 display
- M7 display
- M8 display



Installation guide

Self-test function

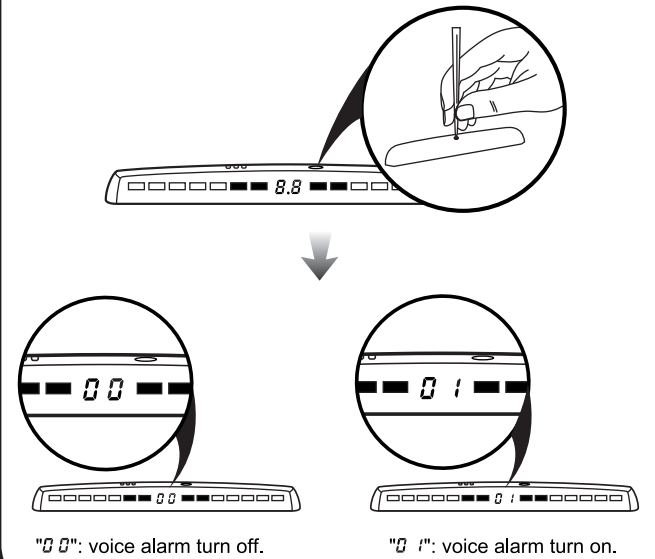
For front system: Once ACC ON, the system will test the front sensors automatically.
 For rear system: When reverse gear is selected, the system will test the rear sensors automatically.
 If all sensors are working properly, the display will beep once for indication.
 If a damaged or defective sensor is detected, then the system will beep 3 times for alarm.



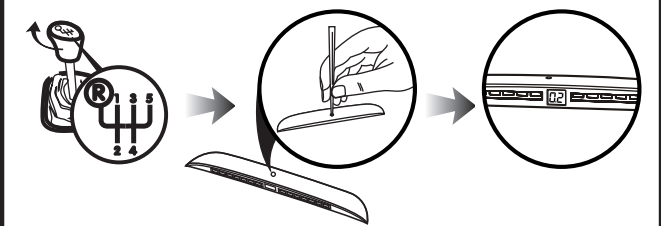
- Note:
- Beep 3 times for alarm
 - Other proper sensors will keep working after the alarm
 - No. of sensor damaged/defective will be shown on the display together with the corresponding LED lights on for showing which sensor(s) is(are) damaged/defective.
 - The system will not alarm when sensors (B&C) and (F&G) are damaged/defective as it will work as 2-sensor system automatically.

Voice alarm

Function for M7 display
 For front system: Once ACC ON, press and hold SET button 2 seconds, and then press the button again to turn ON / OFF the voice alarm.
 For rear system: When reverse gear is selected, press and hold SET button 2 seconds, and then press the button again to turn ON / OFF the voice alarm.

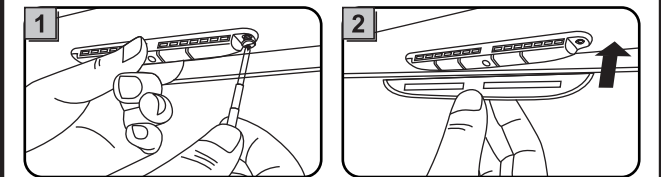


Volume adjustment



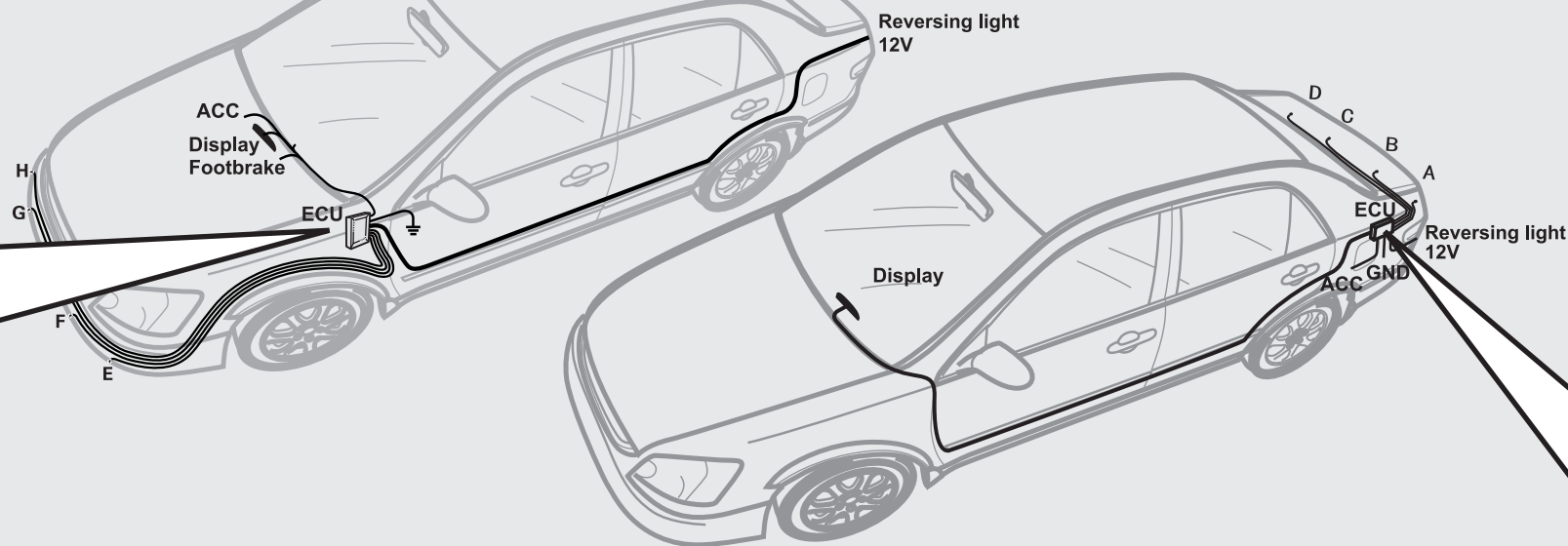
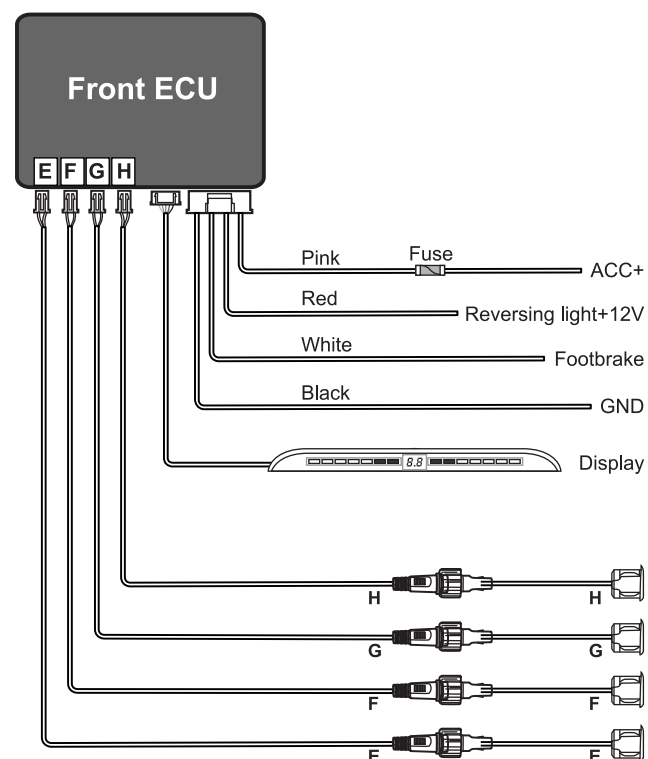
Once ACC ON, press SET button once with "Bi" sound once into the front system volume adjustment mode.
 When reverse gear is selected, press SET button once with "Bi" sound into the rear system volume adjustment mode.
 Then press "SET" button again to select the volume level, it will be saved and exit after 1 second later.
 For M5, M6 & M8:
 ("0" for mute, "1" for Min, "2" for Max)
 For M7 display:
 ("1" for Min, "2" for middle, "3" for Max)
 Default setting: Max volume

M6 & M8 display installation

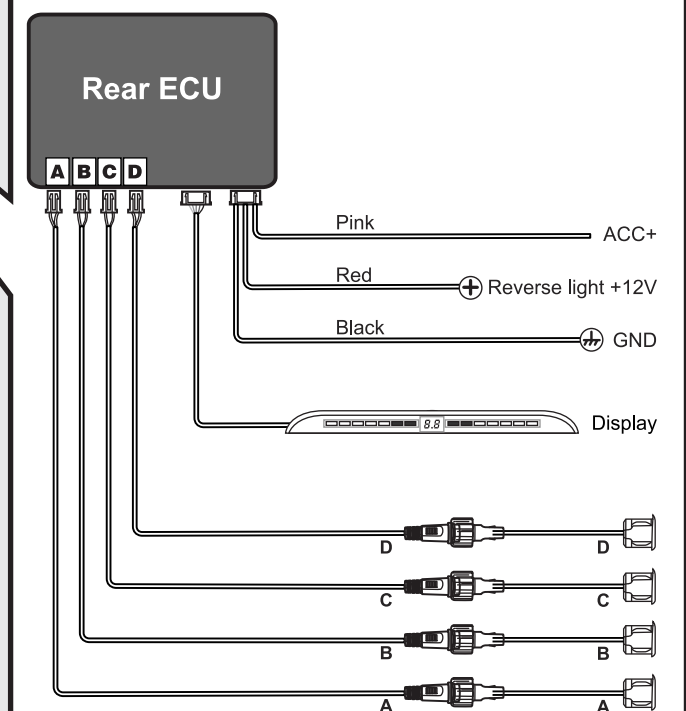


Screw the display on the rear roof
 Clip the cover on of the windshield.

Front ECU wiring

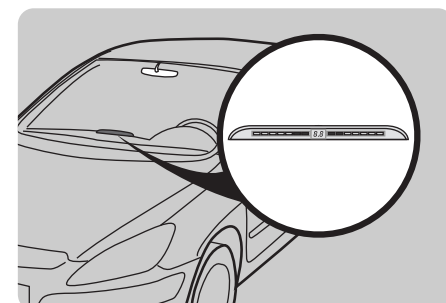


Rear ECU wiring



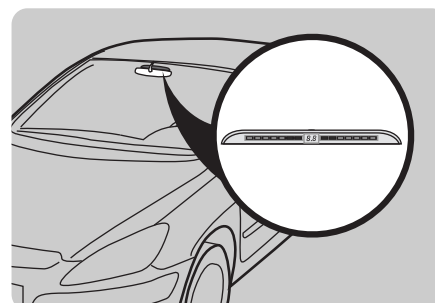
Location of display

Installation mode 1



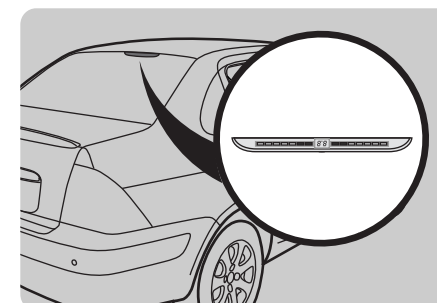
Tear off sticker and fix the display on the dashboard firmly for the driver easy to see.

Installation mode 2



Tear off sticker and fix the display on the top of the rear mirror.

Installation mode 3



Tear off sticker and fix the display on the roof of rear windshield. (only M6, M7, M8 can be installed on the roof of the rear)

Setting mode for display location

Function only for M7 & M8 display

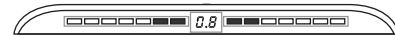
For front ECU:

Once ACC ON, press and hold the set button for 5 seconds and the display beep once to enter setting mode.

For rear ECU:

When reverse gear is selected, press and hold set button for 5 seconds and the display beep once to enter setting mode.

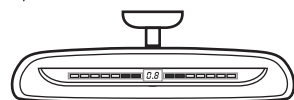
1). Fixed on dashboard



Choosing the installation mode 1



2.) Fixed on the roof of rear windshield (only for rear ECU)

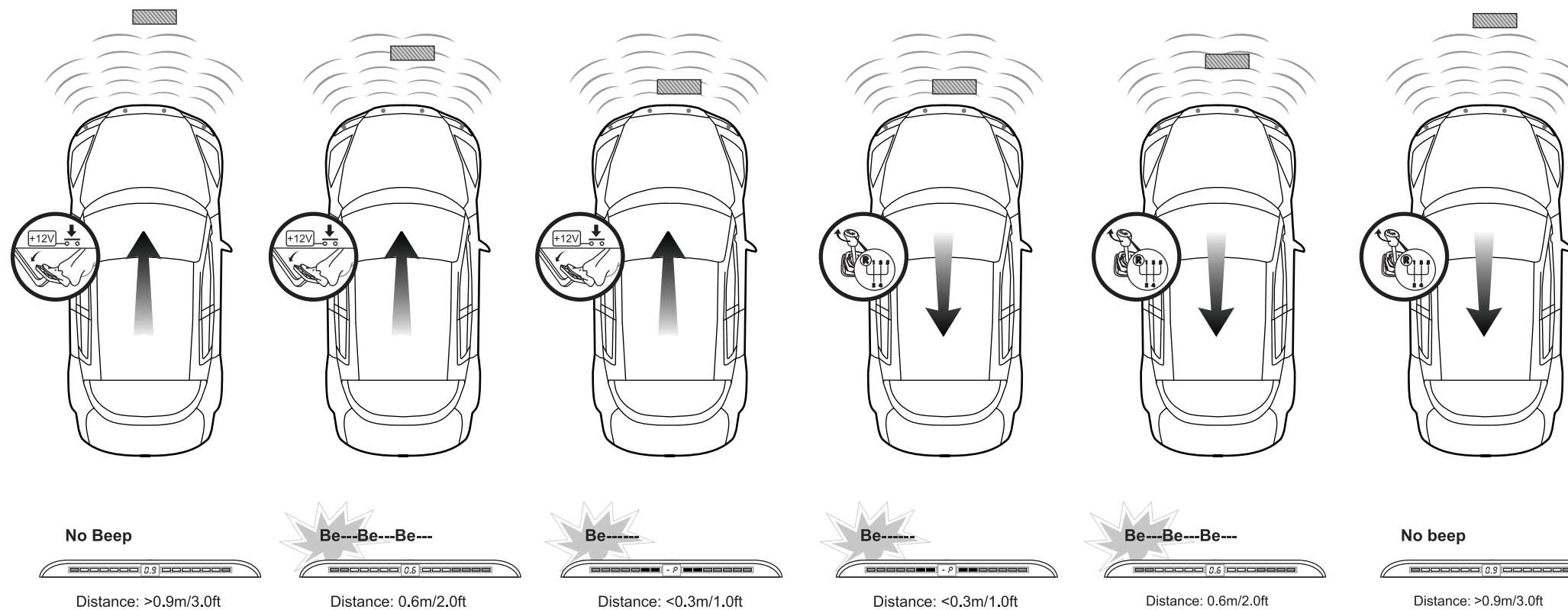


Choosing the installation mode 3



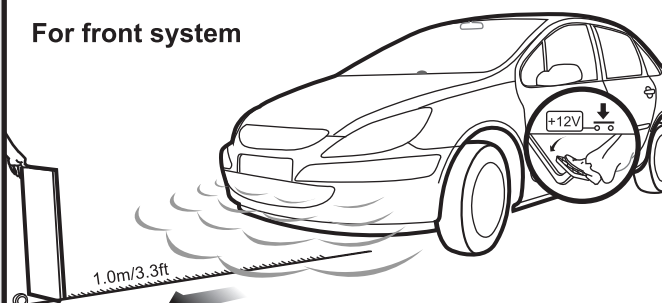
Note: Please put the display on the dashboard before setting

Front warning



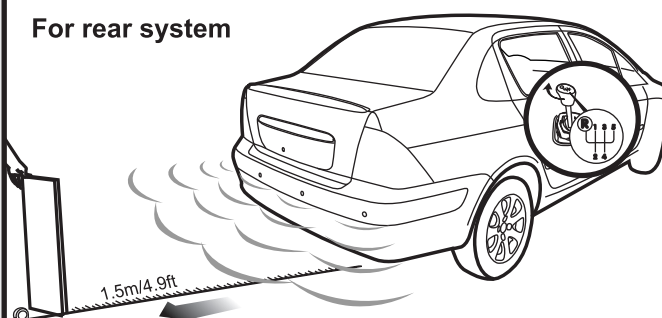
Functional test

For front system



Function test is possible by holding a wooden board (0.3x1.0m/1.0x3.3ft) standing at the front of the vehicle, and drive the car forward and backward to test each function.

For rear system



Functional test is perform by holding a wooden board (0.3x1.0m/1.0x3.3ft) standing at the back / front of the vehicle. Then reverse the car slowly to test each function.

Rear warning

